

Colonial Bollard

EM410



EMERDYN

02 9534 1314

sales@emerdyn.com.au



Standard Specifications:

- Body: cast aluminium
- Finish: powder coated
- Fixture: sub-surface, inground

Options:

- Chain Eyelets: single or double
- Finish: 2-pac wet paint

Colonial Bollard

EM410

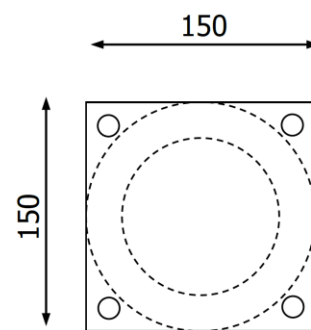
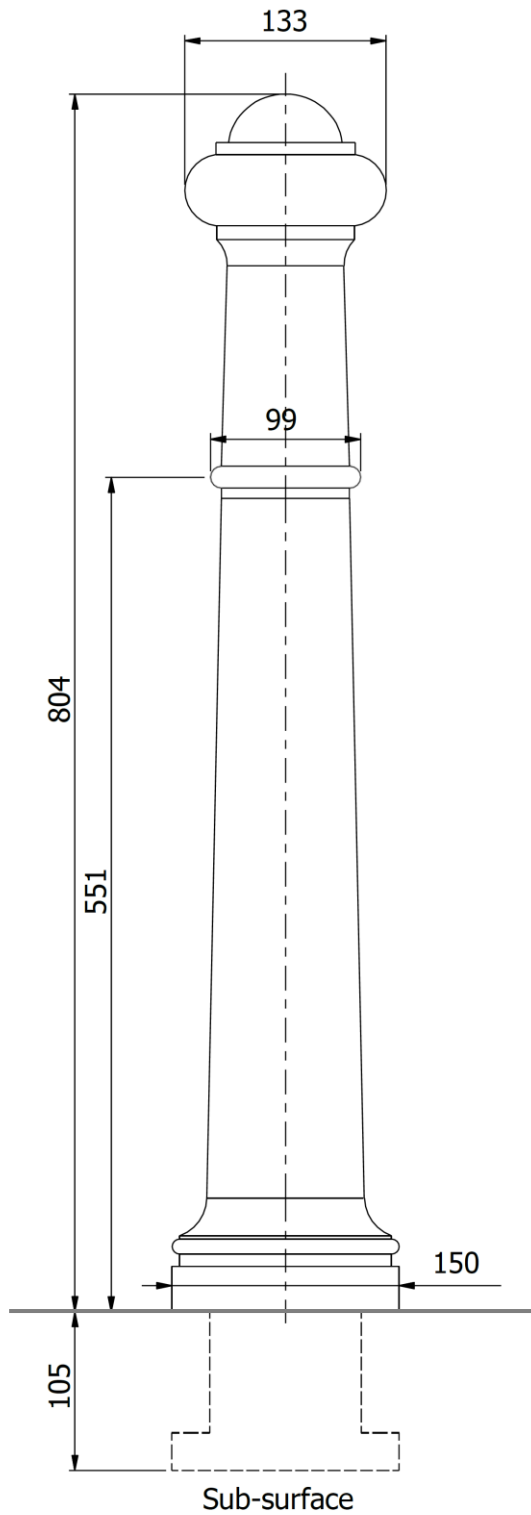


EMERDYN

02 9534 1314

sales@emerdyn.com.au

Dimensions



Sub-surface base plate
14mm holes for M12 bolts